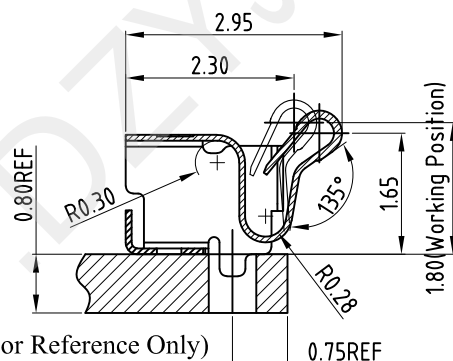
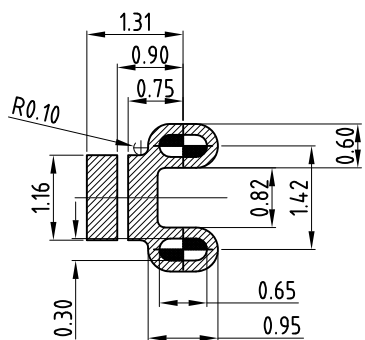
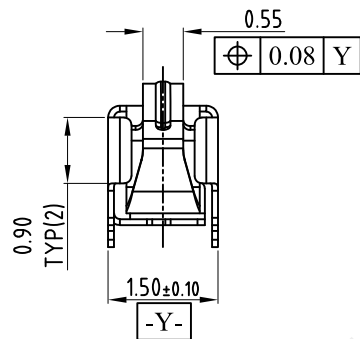
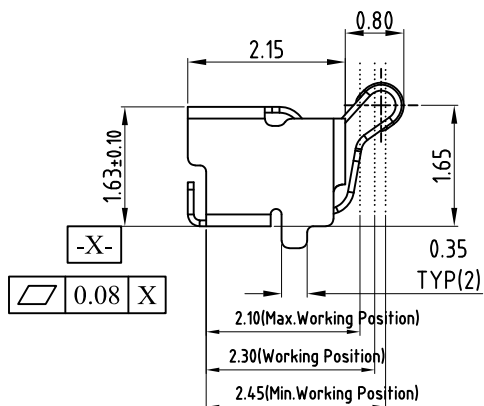
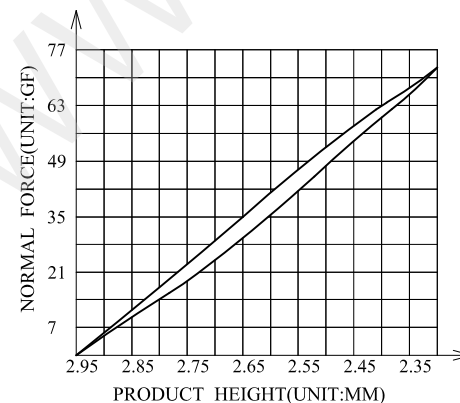


3D View



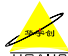
(For Reference Only)
Stated At Compression

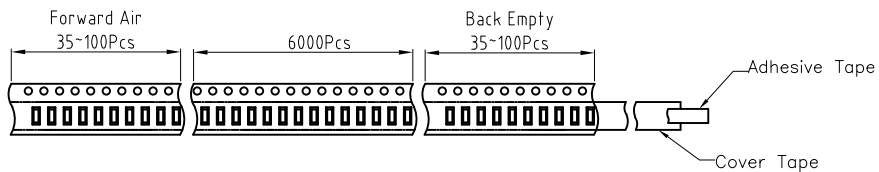
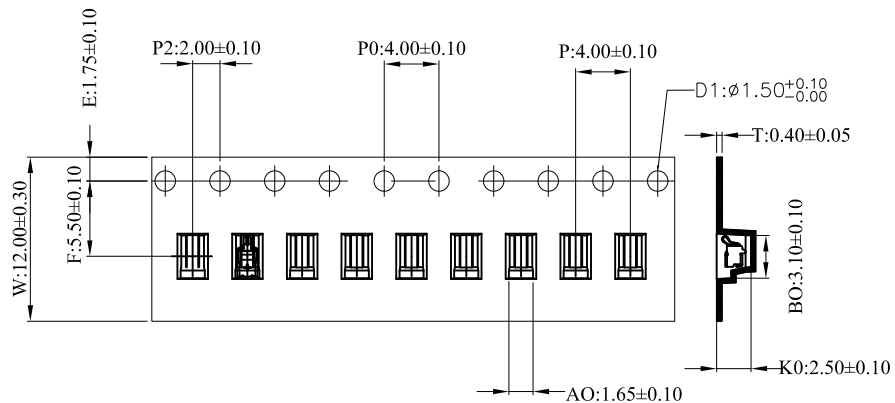
METAL MASK T=0.08
TOLERANCE:±0.05MM
(FOR REFERENCE ONLY)



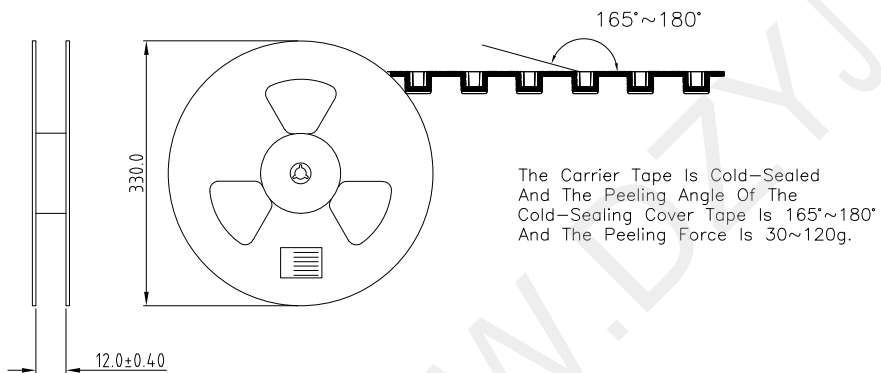
NOTES:

- 1:MATERIAL
 - 1-1: SUS-301 THICKNE=0.08MM
- 2:SPECIFICATIONS
 - 2-1: RATED CURRENT: 1.0A
 - 2-2: VOLTAGE RATING: 1.5V
 - 2-3: CONTACT RESISTANCE: 80mΩ/MAX
 - 2-4: WELDING THRUST: ≥3KG
 - 2-5: OPERATING TEMPERATURE: -40°C~+85°C
- 3:DURABILITY: 1500 CYCLES
- 4:SALT SPRAY TIME: 24H
- 5:ELECTROPLATE: THE NICKEL-PLATED SUBSTRATE IS 50μ" MIN
- 6:REQUIREMENTS
 - 6-1: TERMINAL TO EAT FULL TIN, NOT PEELING, WELDING OBVIOUS COLOR AND OTHER ADVERSE
 - 6-2: ROHS, REACH, HF HALOGER ADVERSE OF DOMESTIC AND INTERNATIONAL ENVIRONMENTAL REQUIREMENTS

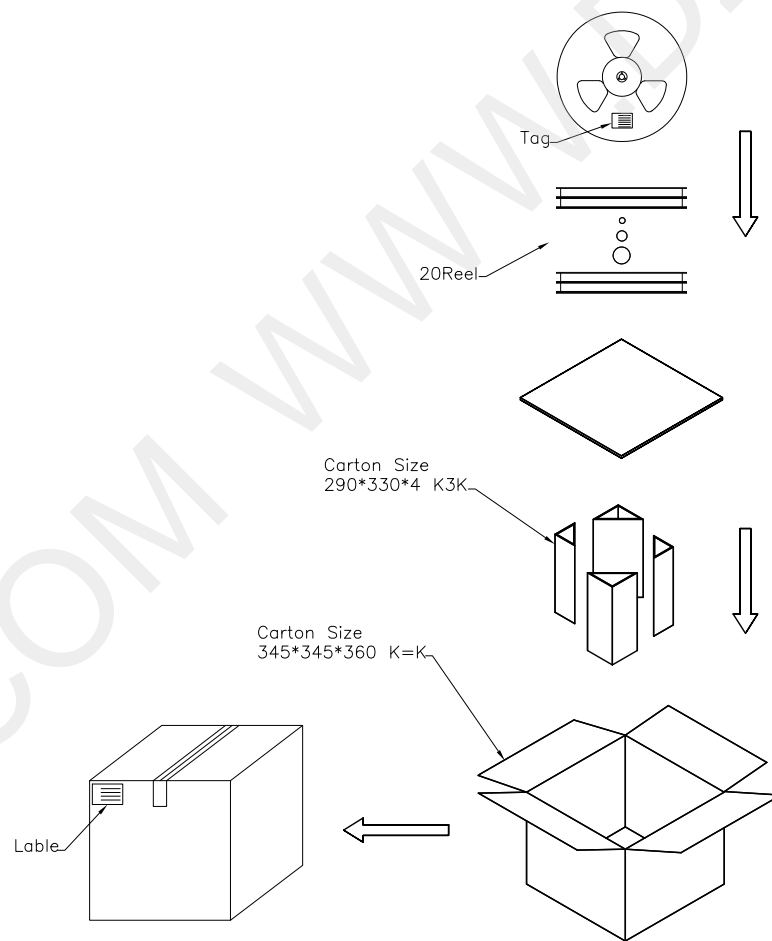
| | | | |
|---|---------------------------|-----------------------------|--|
|  深圳市华宇创精密电子有限公司 | | | |
| TOLERANCE: X.X ±0.30 X.XX ±0.25 X.XXX ±0.15 X' ±2° X.X' ±0.5° | DRAWN BY : 陈一鸣 | DATE : 2014-02-23 | PART NAME: 天线弹片 L2.95*W1.5*H1.65 |
| | CHECKED BY: 马跃 | DATE : 2014-02-23 | PART NO. HVC-TXT29515165A |
| UNIT: mm [inch] SCALE: 1:1 SIZE: A4 | APPROVED BY: 邱敏 | DATE : 2014-02-23 | DRAW NO: HVC-24060061714 |
| | | | SHEET NO. 1 OF 1 |






Customer To Use Direction → Pull Out Direction (出料方向) →



The Carrier Tape Is Cold-Sealed And The Peeling Angle Of The Cold-Sealing Cover Tape Is 165°~180° And The Peeling Force Is 30~120g.



| | | | |
|--|---------------------------|-----------------------------|----------------------------|
|  深圳市华宇创精密电子有限公司 | | | |
| TOLERANCE: X.X ±0.30 X.XX ±0.25 X.XXX ±0.15 X' ±2' X.X' ±0.5' | DRAWN BY : 陈一鸣 | DATE : 2014-02-23 | PART NAME: 包装图 |
| | CHECKED BY: 马跃 | DATE : 2014-02-23 | PART NO. |
|   UNIT: mm [inch] SCALE:1:1 SIZE: A4 | APPROVED BY: 邱敏 | DATE : 2014-02-23 | MOLD NO. |
| | | | DRAW NO: |
| | | | SHEET NO. 1 OF 1 |